

8 7 6 5 4 3 2 1

D

C

B

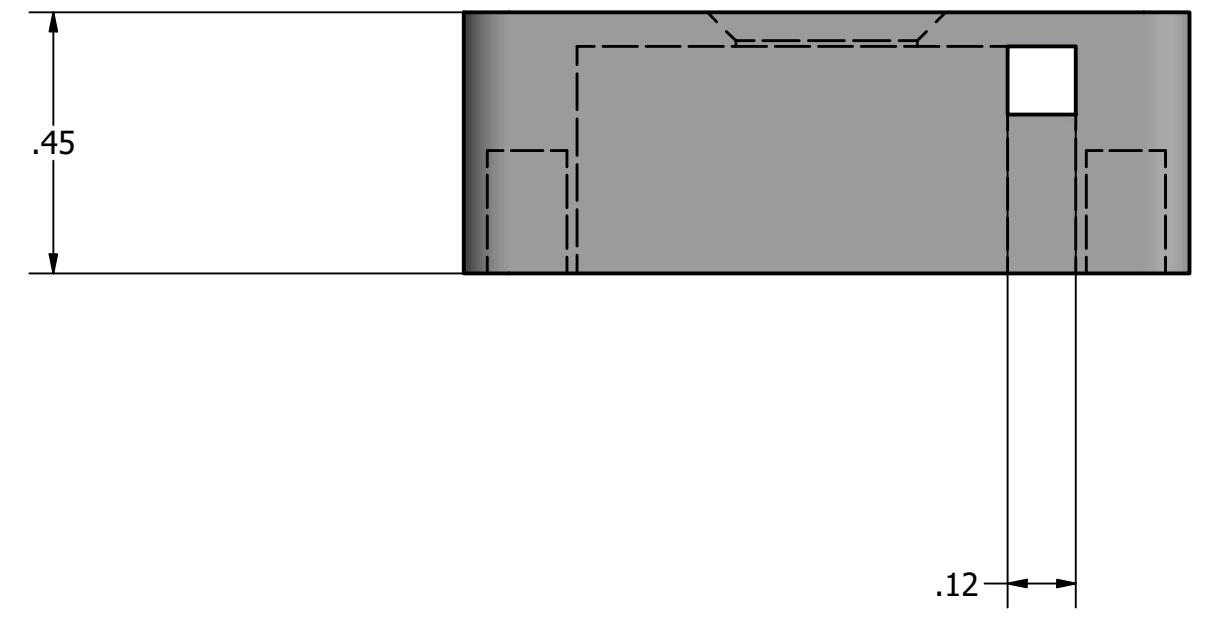
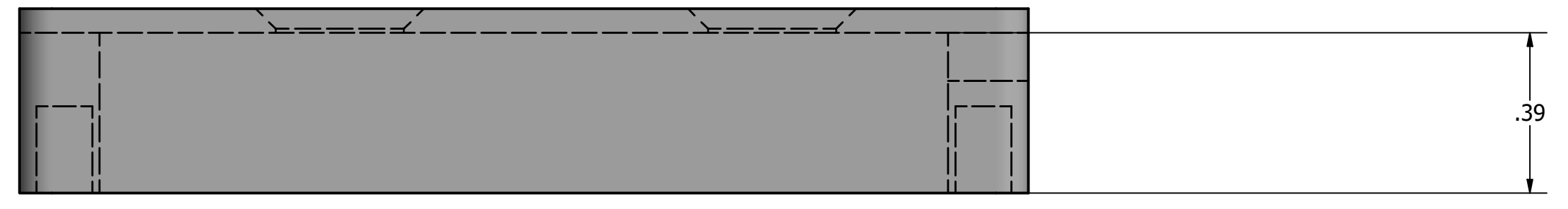
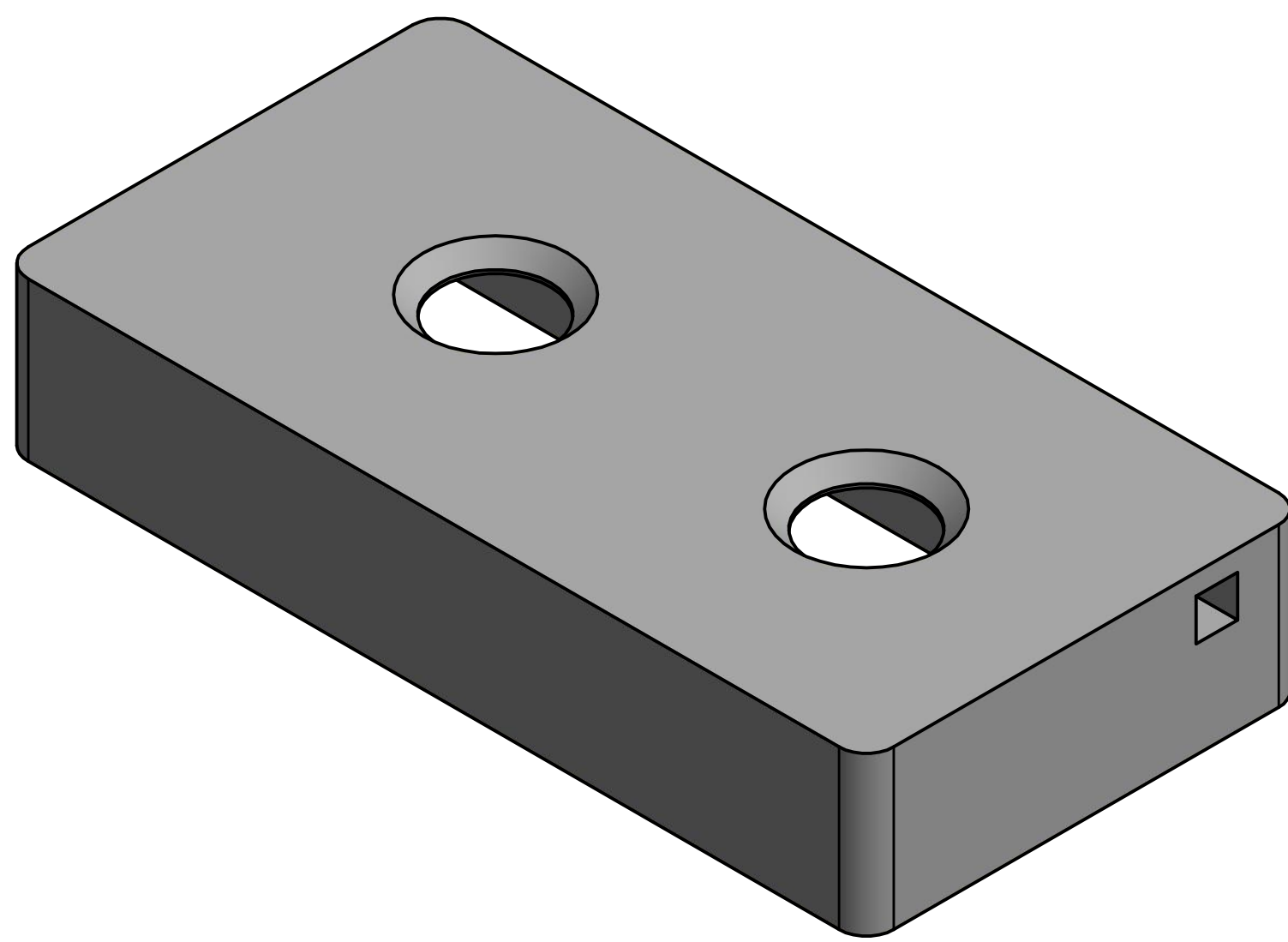
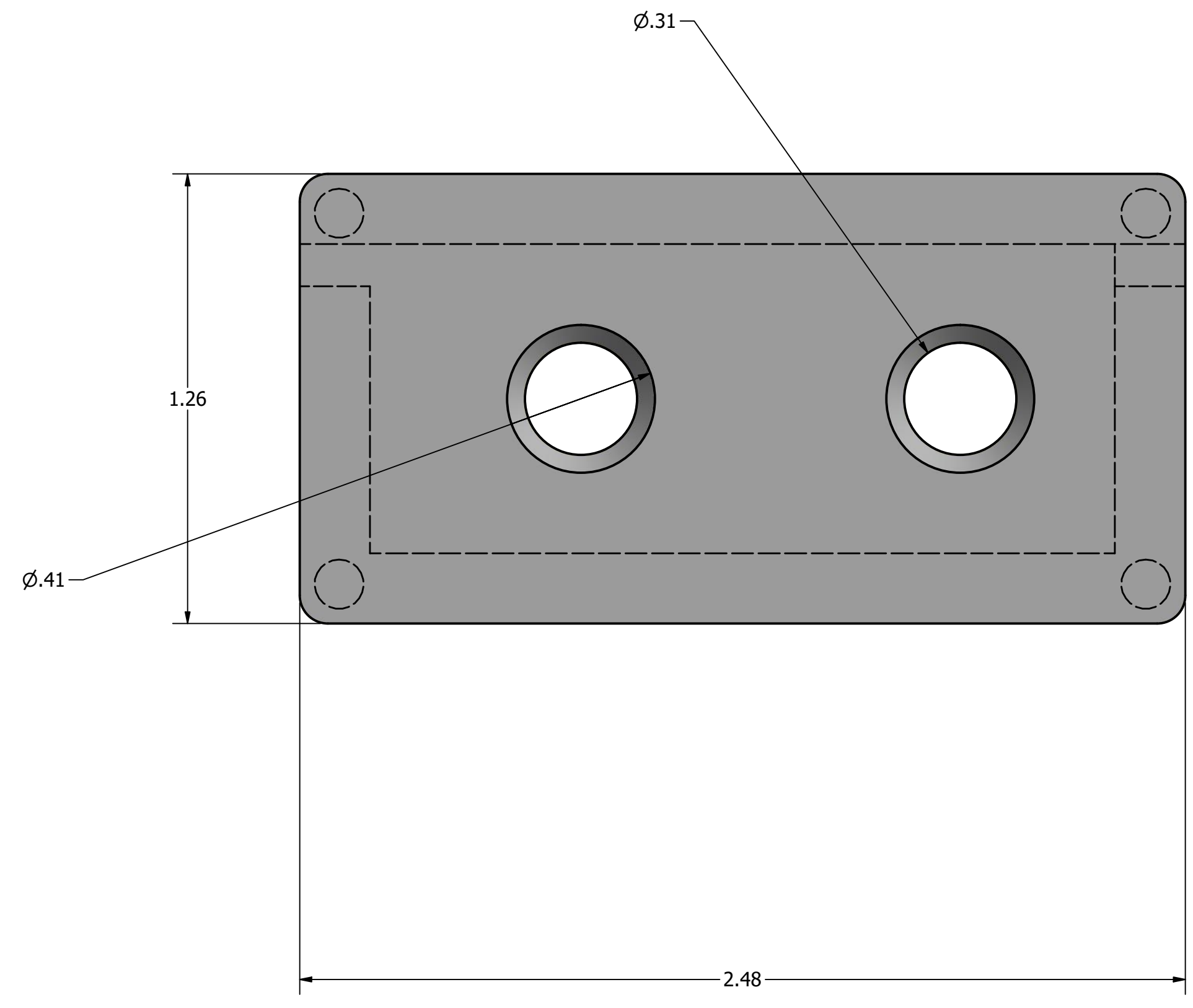
A

D

C

B

A



8 7 6 5 4 3 2 1

DRAWN	15/10/2020			
Usuario		TITLE		
CHECKED				
QA				
MFG				
APPROVED				
		SIZE	DWG NO	REV
		D		
		SCALE	SHEET 1 OF 1	
		3 : 1		